

Eagle Eye Camera DZ04

Indoor/Outdoor 5MP PTZ IP Camera
5.3-159mm Motorized Zoom Lens, POE+, IR



CAMERA

Pixels	5 MP
Resolutions	Stream1: 2592×1944, 2560×1520, 1920×1080, 1280×720 @ 25/30fps; Stream2: D1, VGA, CIF @ 25/30fps; Stream3: VGA, CIF, QVGA @ 25/30fps
Lens	5.3-159mm
IR Range	Up to 150m (492.1 ft)
Pan/Tilt/Rotation Range	Pan: 0° ~ 360° endless/Tilt: -10° ~ +90°
Dynamic Range	True WDR
Digital Noise Reduction	2D/3D DNR
Digital Image Stabilization	Automatic
Applications	Best for large areas like parking lots, fields, road ways, and warehouses
Image Sensor	1/2.8" progressive scan CMOS
Angle of View	H: 56.62° ~ 2.48°/V: 42.76° ~ 1.91°
Shutter Speed	1/5s to 1/20000s
Min Illumination	Color: 0.07 Lux @ (F1.6, AGC ON); B/W: 0 Lux @ (IR LED ON)

DIGITAL CAPABILITIES

Video Compression	H.265, H.264, and MJPEG
Audio Compression	G.711, RAW_PCM
Image Settings	Rotation, saturation, brightness, contrast, sharpness

SETUP

Eagle Eye Cloud VMS	Preconfigured with secure password, plug and play
Camera Settings	Fully integrated with Eagle Eye Cloud VMS and Eagle Eye CameraManager
Cyber Secure	Eagle Eye Verified

INTERFACE

Ethernet	1 × RJ-45, 10/100 Mbps self-adaptive Ethernet port
Audio	1ch Input, 1ch Output
Alarm	2ch Input, 2ch Output
Edge Storage	Yes, up to 256 GB

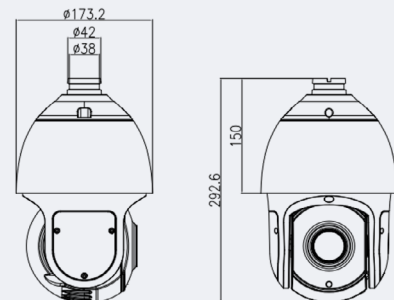
PHYSICAL/POWER

Power	AC24V/POE+ (IEEE802.3at)
Power Consumption	Less than 25 W
Operating Temperature	Starting: -40 °C ~ 60 °C (-40 °F ~ 140 °F) Working: -40 °C ~ 70 °C (-40 °F ~ 158 °F) (IR OFF)
Operating Humidity	0% -90% RH
Ingress Protection	IP66, TVS4000V
Approvals	CE/FCC
Dimensions	173.2×292.6mm (6.82×11.52 inch)
Weight and Housing	3.5 kg (7.72 lb), Metal

The Eagle Eye DZ04 provides enhanced capabilities to the existing line of PTZ cameras. This model includes a longer lens capable of 30x optical zoom, improved low light color reproduction and WDR capabilities, faster pan and tilt speed, a 150m Smart IR system, and AI-based human and vehicle detection with auto tracking.

Key features

- 5 Megapixel
- Indoor/Outdoor PTZ
- Durable Metal Housing, IP66, TVS4000V
- 5.3-159mm Motorized Zoom Lens
- WDR, 3D DNR, ICR, HLC, BLC, Defog
- Eagle Eye Camera Wall Arm WA006 is included



EAGLE EYE PART NUMBERS

EN-CDUZ-004a	Eagle Eye Camera DZ04 Outdoor PTZ 5Mpix, IR, 30X Zoom, 5.3-159mm Lens, TrueWDR, AutoTrack, POE
EN-RRC02	Eagle Eye Camera Rapid Replacement
EN-CAWA-006	Eagle Eye Camera Wall Arm WA006 (included)
EN-CAPE-04	Eagle Eye Camera Pole Mount PM001
EN-CAWA-07	Eagle Eye Camera Wall Arm with Junction Box WA007
EN-CAPM-02	Eagle Eye Camera Pole Mount PM002
EN-CACM-02	Eagle Eye Camera Corner Mount CM002