

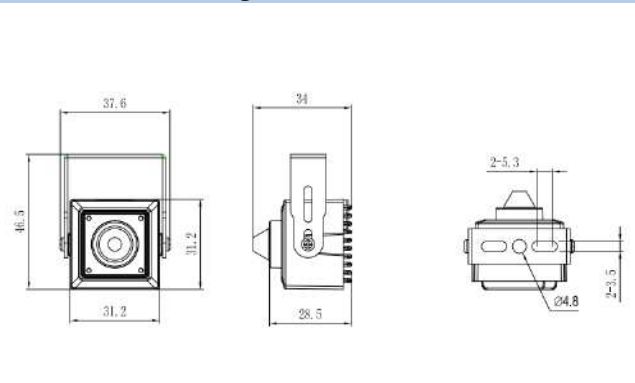


The Eagle Eye DP01 is a very small pinhole camera without an additional remote encoder or electronics box. This indoor 2 Megapixel camera provides a clear picture when installation requires a small space or less obtrusive design. The camera is fully integrated into the Eagle Eye Cloud VMS and Eagle Eye CameraManager.

## Key Features

- > 2 Megapixel
- > Small, Compact Size
- > Audio Input and Output
- > Digital Wide Dynamic Range
- > SD Card Storage Slot

## Dimension Drawing



## Camera

Pixels	2 MP
Resolutions	1920x1080/1280x720 @50/60fps, D1/VGA/640x360/CIF/QVGA @25/30fps, VGA/CIF/QVGA @25/30fps
Lens	3.7mm pinhole
Aisle Mode	Yes
Field of View	84°
Dynamic Range	True WDR > 120dB
Digital Noise Reduction	2D/3D DNR with defog
Digital Image Stabilization	Automatic anti-shake
Applications	Best for non-obvious deployments: ATMs and other applications with limited space
Image Sensor	1/2.8" progressive scan CMOS
Iris	Fixed F2.0
Shutter Speed	1/5s to 1/20000s
Min Illumination	Color 0.001 Lux; B/W 0.0001 Lux

## Digital Capabilities

Video Compression	H.265, H.264, and MJPEG
Audio Compression	G.711, RAW_PCM
Image Settings	Rotation, saturation, brightness, contrast, sharpness
Image	HLC / BLC

## Setup

Eagle Eye Cloud VMS	Preconfigured with secure password, plug and play
Camera Settings	Fully integrated with Eagle Eye Cloud VMS
Cyber Secure	Eagle Eye Verified

## Interface

Ethernet	RJ-45 female 10/100Base-T
Audio	1Ch audio in, 1Ch audio out
Alarm	1Ch output, 2Ch input
Edge Storage	microSD/SDHC/SDXC slot, max 128GB

## Physical/Power

Power	DC 12V
Power Consumption	3W
Operating Temperature	-20°C to +50°C (-22°F to 122°F)
Operating Humidity	0% – 90% RH
Waterproof	IP66
Approvals	CE/FCC
Dimensions	37.6 x 46.5 x 34mm (1.48 x 1.83 x 1.34in)
Weight	180g (6.35oz)
Housing	Metal

## Eagle Eye Part Numbers

EN-CDUP-001a	Eagle Eye Camera DP01 Pinhole 2MP, 3.7mm Lens, WDR, not POE, CameraManager
EN-RRC01	Eagle Eye Camera Rapid Replacement