

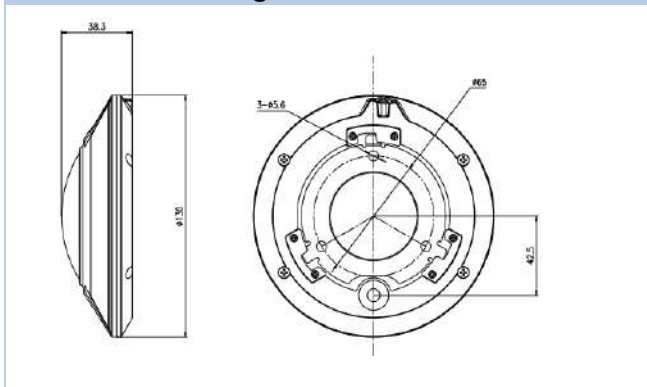


The Eagle Eye DF03 delivers 12MP high resolution images with a 360 degree view. This indoor/outdoor 12MP fisheye with integrated microphone and IR provides a clear 360 degree view, day and night. The camera works in concert with Eagle Eye Cloud VMS dewarping to produce panoramic, split panoramic, ePTZ, and 2+1 ePTZ images. Dewarping can also be configured directly on the camera.

## Key Features

- > 12 Megapixel
- > 360 Degree View
- > Integrated Microphone
- > Indoor/Outdoor Rated
- > Fixed Aspherical Lens with Distortion Correction
- > Digital Wide Dynamic Range
- > Night Vision Smart IR, 15m range

## Dimension Drawing



## Camera

Pixels	12 MP
Resolutions	4000×3000 @20fps, 4096x2160/3840x2160/3000x3000/2560x2560/1920 x1080 @25/30fps
Lens	1.83mm
Darksight	IR LEDs, 15m range (49.2ft)
Field of View	180° x 180°
Dynamic Range	DWDR
Digital Noise Reduction	2D/3D DNR with defog
Digital Image Stabilization	Automatic
Applications	Best for medium size open areas: hallways, intersections, lobbies, and retail
Image Sensor	1/1.7" progressive scan CMOS
Iris	Fixed F2.4
Shutter Speed	1/5s to 1/20000s
Min Illumination	Color 0.009 Lux; IR on 0 Lux

## Digital Capabilities

Video Compression	H.265, H.264, and MJPEG
Audio Compression	G.711, RAW_PCM
Image Settings	Rotation, saturation, brightness, contrast, sharpness
Dewarping	Internal or via Eagle Eye Cloud VMS

## Setup

Eagle Eye Cloud VMS	Preconfigured with secure password, plug and play
Camera Settings	Fully Integrated with Eagle Eye Cloud VMS
Cyber Secure	Eagle Eye Verified

## Interface

Ethernet	Waterproof RJ-45 female 10/100Base-T
Audio	1Ch audio in, 1Ch audio out, or built-in microphone
Alarm	1Ch output, 1Ch input
Edge Storage	microSD/SDHC/SDXC slot, max 128GB

## Physical/Power

Power	DC 12V/Power Over Ethernet (IEEE 802.3af)
Power Consumption	5W IR off, 9W IR on
Operating Temperature	-40°C to +60°C (-40°F to 140°F)
Operating Humidity	0% – 90% RH
Waterproof	IP66
Approvals	CE/FCC
Dimensions	Φ 130 x 38.3mm (5.12 x 1.51in)
Weight	500g (17.64oz)
Housing	All Aluminum

## Eagle Eye Part Numbers

EN-CDUF-003a	Eagle Eye Camera DF03 Indoor/Outdoor Fisheye 12MP IR, IP66, 1.83mm Lens, POE
EN-RRC02	Eagle Eye Camera+ Rapid Replacement
EN-CABX-004	Eagle Eye Camera Junction Box BX004 (WA03,PE02,DF03)