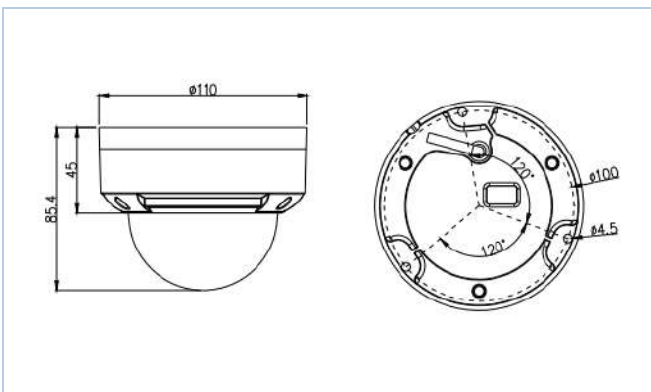




The Eagle Eye DD10 is a high-performance 8 Megapixel camera with an IP67 environmental and IK10 vandal rating. This model is suitable for indoor and outdoor use for a wide range of applications. The camera comes pre-configured to securely operate with the Eagle Eye Cloud VMS and Eagle Eye CameraManager.

### Key Features

- > 8 Megapixel
- > Indoor/Outdoor Waterproof Vandal Dome
- > Durable All-Aluminum Housing, IP67 & IK10
- > Fixed Lens, 2.8mm
- > Wide Dynamic Range & Ultra Low Light Color
- > Night Vision Smart IR, IR LEDs, 30m range
- > Triple RTSP Streams



### Camera

Pixels	8 MP
Resolutions	3840x2160/3072x2048/2592x1520/1920x1080 @25/30fps
Lens	2.8mm
Darksight	Smart IR LEDs, 30m range (98ft)
Field of View	110°
Dynamic Range	WDR (120dB) and HLC/BLC
Digital Noise Reduction	2D/3D DNR and defog
Digital Image Stabilization	Automatic
Applications	Best for small and medium indoor/outdoor areas: stock rooms, lobbies, hallways, elevators, IT closets, storage rooms, entrances, exits, stairways, interview rooms
Image Sensor	1/2.5" progressive scan CMOS
Iris	Fixed
Shutter Speed	1/5s to 1/20000s
Min Illumination	Color 0.01 Lux; IR on 0 Lux

### Digital Capabilities

Video Compression	H.265, H.264, and MJPEG
Image Settings	Rotation, saturation, brightness, contrast, sharpness
Corridor Mode	Yes

### Setup

Eagle Eye Cloud VMS	Preconfigured with secure password, plug and play
Camera Settings	Fully integrated with Eagle Eye Cloud VMS and Eagle Eye CameraManager
Cyber Secure	Eagle Eye Verified

### Interface

Ethernet	Waterproof RJ-45 female 10/100Base-T
Audio	None
BNC Output	Built-in CVBS output

### Physical/Power

Power	DC 12V/Power Over Ethernet (IEEE 802.3af)
Power Consumption	3.5W IR off, 8W IR on
Operating Temperature	-30°C to +50°C (-22°F to 122°F)
Operating Humidity	0% – 90% RH
Ingress Protection	IP67 and IK10
Approvals	CE/FCC
Dimensions	Φ 110 x 85.4mm (4.33 x 3.36in)
Weight	470g (16.58oz)
Housing	All Aluminum

### Eagle Eye Part Numbers

EN-CDUD-010a	Eagle Eye Camera DD10 Indoor/Outdoor Vandal Dome 8MP, H265, IR, IP67, 2.8mm lens, POE
EN-RRC01	Eagle Eye Camera Rapid Replacement
EN-CABX-005	Eagle Eye Camera Junction Box BX005 (DM08,DD05 to DD11 ,DE02)
EN-CAWA-001	Eagle Eye Camera Wall Arm WA001 (DM07,DD05,DE02,DM08)
EN-CAPM-001	Eagle Eye Camera Pole Mount PM001 (BX002, BX003, BX004)