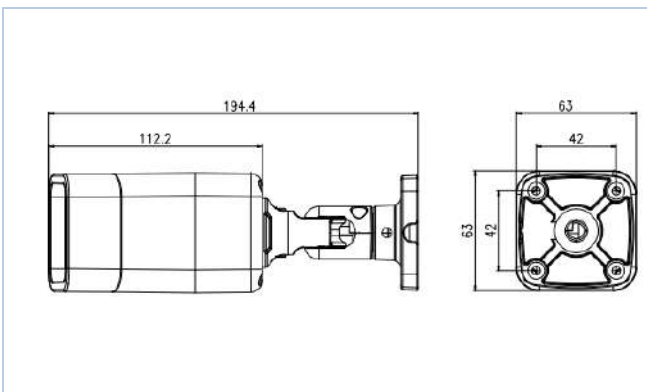




The Eagle Eye DB12 is a high-performance 8 Megapixel camera with an IP67 environmental rating. This model is suitable for indoor and outdoor use for a wide range of applications. The camera comes pre-configured to securely operate with the Eagle Eye Cloud VMS and Eagle Eye CameraManager.

Key Features

- > 8 Megapixel
- > Indoor/Outdoor Waterproof Mini-Bullet
- > Durable All-Aluminum Housing, IP67
- > Fixed Lens, 2.8mm
- > Wide Dynamic Range & Ultra Low Light Color
- > Night Vision Smart IR, IR LEDs, 30m range
- > Triple RTSP Streams



Eagle Eye Part Numbers

EN-CDUB-012a	Eagle Eye Camera DB12 Indoor/Outdoor Mini Bullet 8MP, H265, IR, IP67, 2.8mm Lens, WDR, POE
EN-RRC01	Eagle Eye Camera Rapid Replacement
EN-CABX-006	Eagle Eye Camera Junction Box BX006 (DB10, DB12)
EN-CAPM-001	Eagle Eye Camera Pole Mount PM001 (BX002, BX003, BX004, BX006, BX007)

Camera

Pixels	8 MP
Resolutions	3840x2160/3072x2048/2592x1520/1920x1080 @25/30fps
Lens	2.8mm
Night Vision	Smart IR LEDs, 30m range (98ft)
Field of View	110°
Dynamic Range	WDR (120dB) and HLC/BLC
Digital Noise Reduction	2D/3D DNR and defog
Digital Image Stabilization	Automatic
Applications	Best for small indoor areas: stock rooms, lobbies, hallways, elevators, IT closets, storage rooms, entrances, interview rooms
Image Sensor	1/2.5" progressive scan CMOS
Iris	Fixed
Shutter Speed	1/5s to 1/20000s
Min Illumination	Color 0.01 Lux; IR on 0 Lux

Digital Capabilities

Video Compression	H.265, H.264, and MJPEG
Audio Compression	G.711, RAW_PCM
Image Settings	Rotation, saturation, brightness, contrast, sharpness
Corridor Mode	Yes

Setup

Eagle Eye Cloud VMS	Preconfigured with secure password, plug and play
Camera Settings	Fully integrated with Eagle Eye Cloud VMS and Eagle Eye CameraManager
Cyber Secure	Eagle Eye Verified

Interface

Ethernet	Waterproof RJ-45 female 10/100Base-T
Audio	None
BNC Output	Built-in CVBS output

Physical/Power

Power	DC 12V/Power Over Ethernet (IEEE 802.3af)
Power Consumption	3.5W IR off, 8W IR on
Operating Temperature	-30°C to +50°C (-22°F to 122°F)
Operating Humidity	0% – 90% RH
Ingress Protection	IP67
Approvals	CE/FCC
Dimensions	Φ 194.4 x 63 x 63mm (7.65 x 2.48 x 2.48in)
Weight	500g (17.64oz)
Housing	All Aluminum